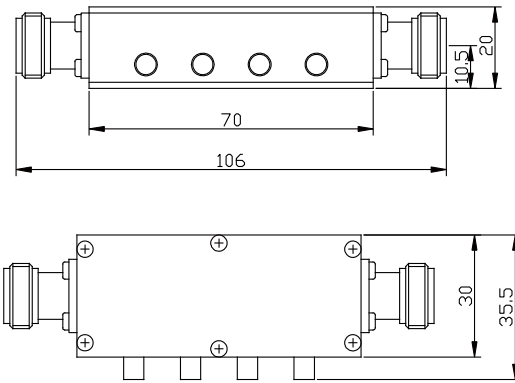
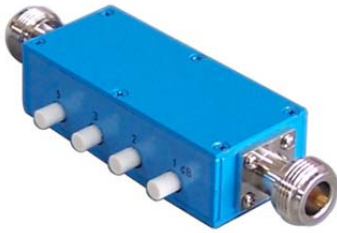


Pushbutton Step attenuators can be used to adjust the power signal level by step within certain frequency range, they can also be used to adjust the test system's power level as inset attenuators, it is small with high accuracy and high stability etc.

SATP serial B type pushbutton step attenuators' average power 2W-25W, frequency range from DC-4GHz, attenuation value 0-90dB by 0.1dB / 1dB/ 10dB step.



MECHANICAL SPECIFICATIONS	
Connectors	Brass Nickel Plated
Female Pin	Beryllium Copper Gold Plated
Housing	Aluminum, Blue Spray Painting
Temp Range	-20°C~+85°C
Dimensions	106×35.5×20mm
Weight	110g

RoHS Compliant: Yes

ELECTRICAL SPECIFICATIONS

Model Number	Frequency Range(GHz)	Attenuation Range(dB)	Attenuation Step(dB)	Attenuation Accuracy(dB)		Max VSWR	Insertion Loss(dB)
				2W/5W	10W		
SATPXX-4-10-1-B	DC-1	0-10dB in 1dB steps	1,2,3,5	±0.3	±0.5	1.4	≤1.0
SATPXX-4-10-2.5-B	DC-2.5			±0.5	±1.0		≤1.8
SATPXX-4-10-3-B	DC-3			±0.5	±1.0	1.50	≤2.5
SATPXX-4-10-3.5-B	DC-3.5			±0.6	±1.5		
SATPXX-4-10-4-B	DC-4			±0.8	/	1.55	≤3.5

Note: XX refer to Average Power in W

NOMINAL IMPEDANCE: 50Ω, 75Ω

AVERAGE POWER: 2W, 5W, 10W

PEAK POWER: 100W (5μs pulse width with 2% duty cycle)

CONNECTOR TYPE: N, SMA,BNC, F

Notes:

1. Dimensions Tolerance ±5%
2. Custom designs available for other special attenuation value & accuracy.