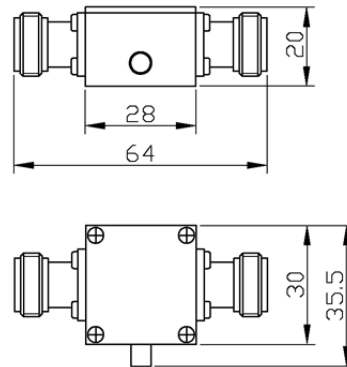


Pushbutton Step attenuators can be used to adjust the power signal level by step within certain frequency range, they can also be used to adjust the test system's power level as inset attenuators, it is small with high accuracy and high stability etc.

SATP serial B type pushbutton step attenuators' average power 2W-25W, frequency range from DC-4GHz, attenuation value 0-90dB by 0.1dB / 1dB/ 10dB step.



MECHANICAL SPECIFICATIONS	
Connectors	Brass Nickel Plated
Female Pin	Beryllium Copper Gold Plated
Housing	Aluminum, Anodic Oxidation
Temp Range	-20°C~+85°C
Dimensions	64×35.5×20mm
Weight	65g

RoHS Compliant: Yes

### ELECTRICAL SPECIFICATIONS

Model Number	Frequency Range(GHz)	Attenuation Range(dB)	Attenuation Step(dB)	Attenuation Accuracy(dB)		Max VSWR	Insertion Loss(dB)
				2W/5W	10W		
SATPXX-1-20-1-B	DC-1	0-20dB in 20dB steps	20	±0.2	±0.4	1.30	≤0.4
SATPXX-1-20-2.5-B	DC-2.5			±0.4	±0.8		≤0.6
SATPXX-1-20-3-B	DC-3			±0.5	±1.0		≤0.75
SATPXX-1-20-3.5-B	DC-3.5			±0.6	±1.5	1.35	≤1.0
SATPXX-1-20-4-B	DC-4			±0.8	±1.5	1.40	≤1.2

Note: XX refer to Average Power in W

**NOMINAL IMPEDANCE:** 50Ω, 75Ω

**AVERAGE POWER:** 2W, 5W, 10W

**PEAK POWER:** 100W (5μs pulse width with 2% duty cycle)

**CONNECTOR TYPE:** 50Ω: N, SMA

75Ω: N, BNC, F

### Notes:

1. Dimensions Tolerance ±5%
2. Custom designs available for other special attenuation value & accuracy.