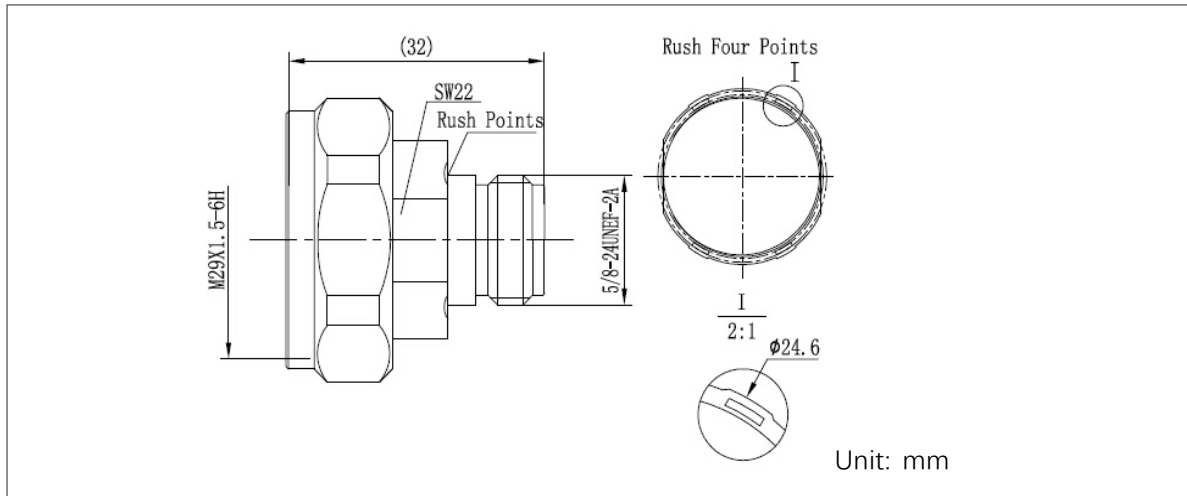


Description: 7/16 Male To N Female Adapter

Outline drawing:



Type

	Connector 1	Connector 2
Port Type	7/16 Male	N Female
Impedance	50Ω	50Ω
Body Style	Straight	

Material and Plating

Body	Brass, SUCO Plated
Center conductor	Brass, Silver Plated
Dielectric	PTFE
Other	Brass, SUCO Plated

Electrical Specifications

Frequency Range	DC-3GHz
Max VSWR	1.10:1(max)
PIM (@2-tonex20w)	≤ -160dBc

Mechanical Specifications

Durability	Mating cycles ≥ 500 cycles
------------	----------------------------

Environmental Data

Operating Temperature Range	-40~+85°C
2002/95/EC(RoHS)	Compliant