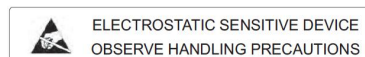
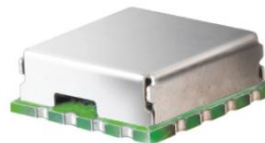


Features

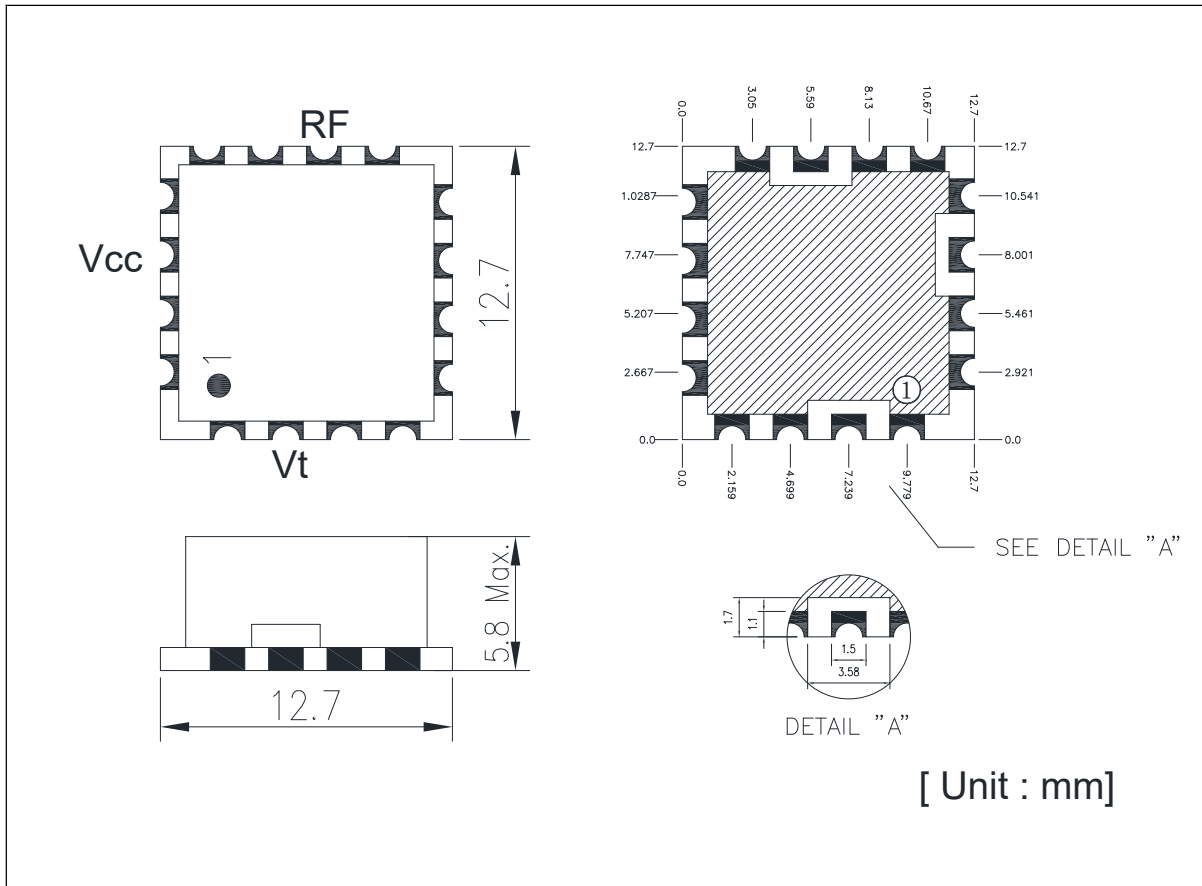
- Hybrid Integrated Circuit
- Surface Mounted Device Type
- Shield Case: Nickel Silver
- 16 PIN Type
- Customization Available Upon Request



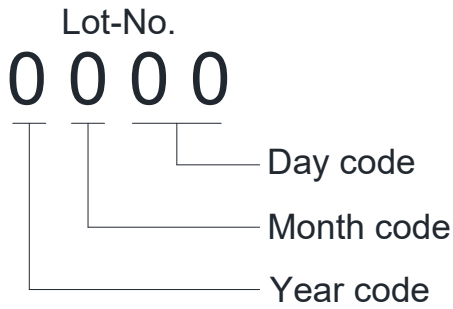
Electrical Specifications (TA=+25°C, 50Ω System)

No	Item	Unit	Value
1	Operating Frequency Range	MHz	1185 ~ 1215
2	Output Power Level	dBm	+3 ± 2
3	Harmonics Level (2 nd)	dBc	-20
4	Spurious Level	dBc	-85
5	Phase Noise		-80
	at offset @ 1kHz	dBc/Hz	-108
	at offset @ 10kHz	dBc/Hz	-125
	at offset @ 100kHz	dBc/Hz	-145
6	at offset @ 1000kHz	dBc/Hz	-145
	Load Impedance	Ω	50
7	Input Capacitance	pF	27
8	Tuning Voltage	V	+0.5 ~ +5.0
9	Tuning Sensitivity (Typ.)	MHz/V	20
10	Supply Voltage	Vdc	+5±0.25
11	Current Consumption (Typ.)	mA	20
12	Pushing	MHz/V	< 1.0
13	Pulling (VSWR = 1.5 : 1 All phase)	MHz	< 1.5
14	3dB Modulation Bandwidth.	MHz	40 Typ.
15	Operating Temp. Range	°C	-40 ~ +85

Dimensions

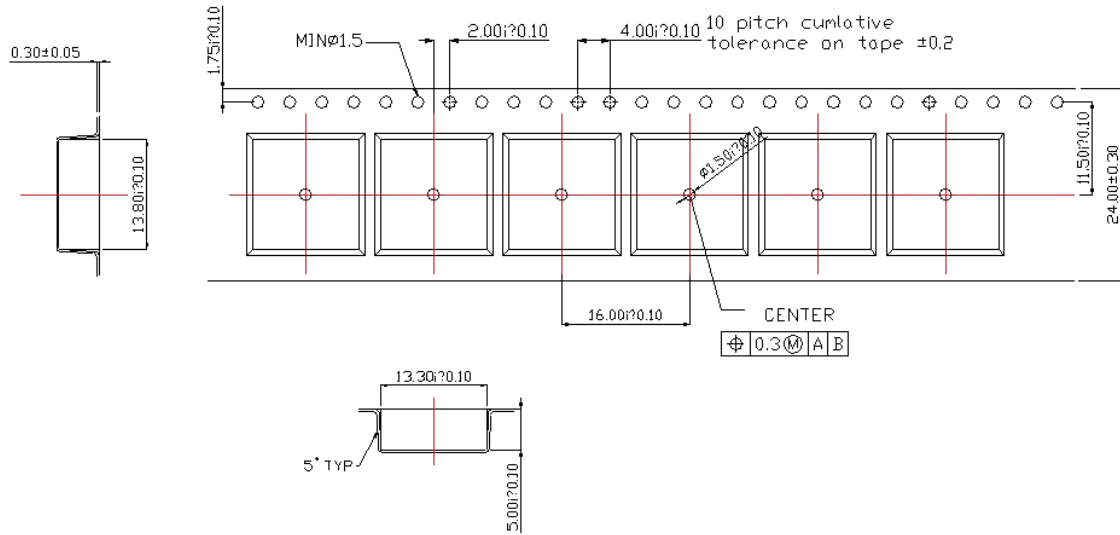


[Unit : mm]

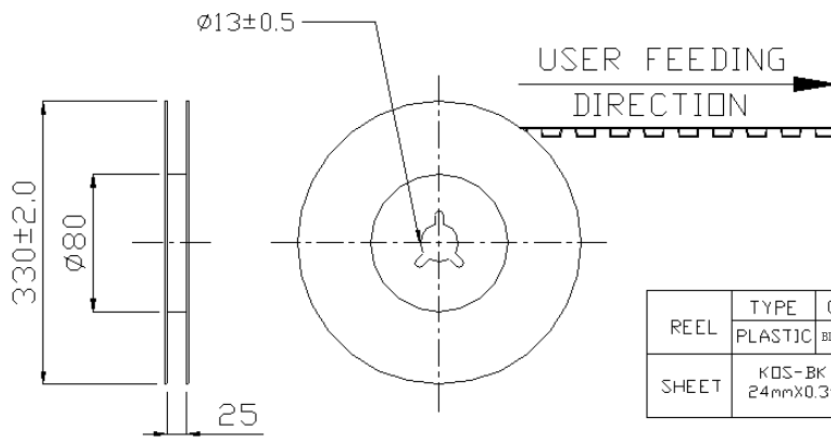


Terminal Connection	
Pin NO	Terminal NAME
2	Control Voltage
10	RF Output
14	Power Supply
All Other Pins are Ground	

Packing



Taping and Reel



REEL	TYPE	COLOR	HUB	SIZE
	PLASTIC	BLACK, WHITE	80	330
SHEET	K05-BK 24mmx0.3t	POCKET COUNTER	750 POCKET	

REEL DIMENSION