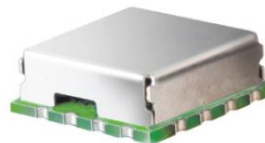


### Features

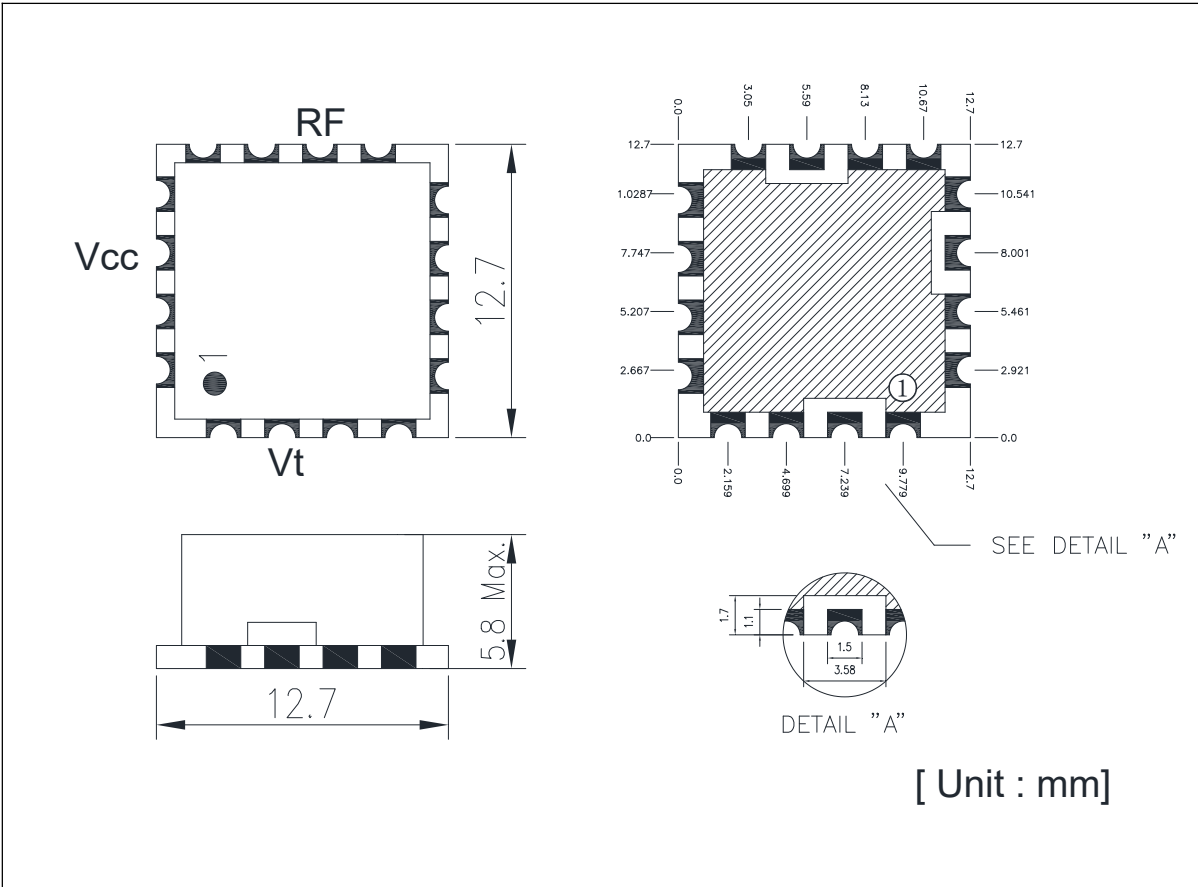
- Hybrid Integrated Circuit
- Surface Mounted Device Type
- Shield Case: Nickel Silver
- 16 PIN Type
- Customization Available Upon Request



### Electrical Specifications (TA=+25°C, 50Ω System)

No	Item	Unit	Value
1	Operating Frequency Range	MHz	590.0 ~ 630.0
2	Output Power Level	dBm	+5 ± 2
3	Harmonics Level (2 <sup>nd</sup> )	dBc	-15
4	Spurious Level	dBc	-85
5	Phase Noise		
	at offset @ 1kHz	dBc/Hz	-80
	at offset @ 10kHz	dBc/Hz	-112
	at offset @ 100kHz	dBc/Hz	-130
	at offset @ 1000kHz	dBc/Hz	-150
6	Load Impedance	Ω	50
7	Input Capacitance	pF	27
8	Tuning Voltage	V	+0.5 ~ +5.0
9	Tuning Sensitivity (Typ.)	MHz/V	20
10	Supply Voltage	Vdc	+5±0.25
11	Current Consumption (Typ.)	mA	20
12	Pushing	MHz/V	< 1.0
13	Pulling (VSWR = 1.5 : 1 All phase)	MHz	< 1.5
14	3dB Modulation Bandwidth.	MHz	30 Typ.
15	Operating Temp. Range	°C	-40 ~ +85

Dimensions

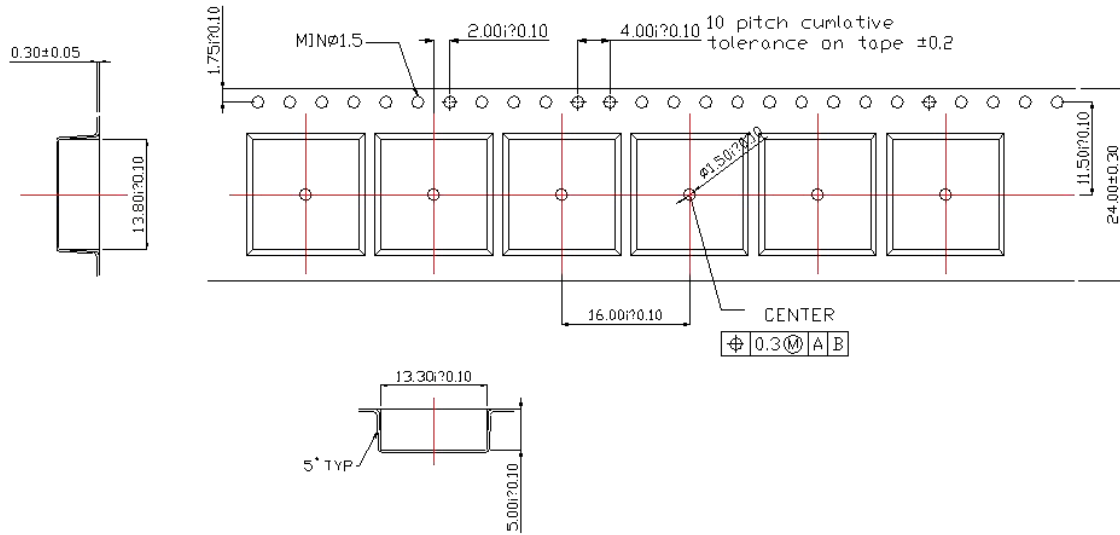


Lot-No.  
0 0 0 0

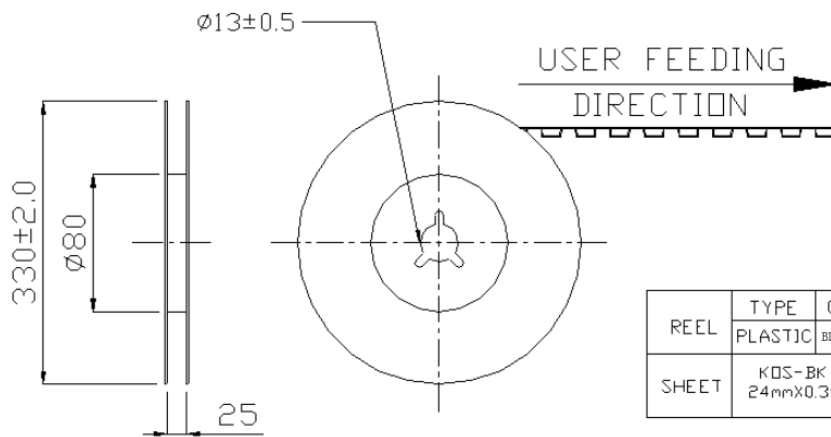
Day code  
Month code  
Year code

Terminal Connection	
Pin NO	Terminal NAME
2	Control Voltage
10	RF Output
14	Power Supply
All Other Pins are Ground	

**Packing**



**Taping and Reel**



REEL	TYPE	COLOR	HUB	SIZE
	PLASTIC	BLACK, WHITE	80	330
SHEET	KDS-BK 24mmx0.3t	POCKET COUNTER	750 POCKET	

REEL DIMENSION