



扫码关注

Data Sheet

CNG-EbNo
Precision SNR
Generator



CNG-EbNo Series Precision SNR Generators

The CNG-EbNo is a fully automated instrument that sets and maintains a highly accurate ratio between a user-supplied carrier and internally generated AWGN noise, over a wide range of signal power levels and frequencies.

The CNG-EbNo gives system, design, and test engineers in the cellular/PCS, satellite and military communication industries a cost-effective means of obtaining higher yield through automated testing, plus increased confidence from repeatable, accurate test results.



Features

Multiple Operating Modes

The CNG-EbNo provides five operating modes: carrier-to-noise (C/N), carrier-to-noise density (C/N_0), bit energy-to-noise density (E_b/N_0), carrier-to-interferer (C/I), and power meter. The instrument can also be used as a precision noise generator.

Custom Configurations

The CNG-EbNo is available in a variety of configurations to meet your specific testing needs. Applications include: military communications, WCDMA, SATCOM, NASA TDRSS, CableTV, HDTV, IS-95, CDMA, TSMa, UMTS, GPRS L-band modems, Milstar, Inmarsat, Intelsat, and general purpose.

Direct Display of E_b/N_0 , C/N, C/I, or C/No

The 6.25" color TFT touch screen provides simultaneous read-out of all significant input and output signal levels relating to the chosen operating mode, including carrier-to-noise ratios.

Accuracy of 0.2 dB RSS

A special, large-dynamic-range power meter measures both the signal and the noise, which allows the CNG-EbNo to set the desired ration to within ± 0.2 dB. Special configurations can provide improved accuracy.

Bit Rate Entry of 1 bps to 999 Mbps and above

In bit energy-to-noise density testing (E_b/N_0), the instrument automatically calculates noise density based on the user specified bit rate.

Variable Output Power

Output power is user-specified and can be set within the range of -55 dBm to +5 dBm.

True RMS Power Meter

The digital power meter is custom designed to cover the frequency range of the particular instrument. It can measure signals and noise accurately with Gaussian Noise crest factors up to 18 db.

Direct Testing at both RF and Microwave Frequencies

In configurations that cover two separate frequency ranges, measurements can be made directly without the need for special conversion circuitry.

Setting Precision C/N Ratios

The CNG-EbNo accurately sets carrier-to-noise ratios using the substitution calibration method. This method eliminates the effects of any non-linearity in the measuring device, in this case the power meter. This is done by setting the signal and the noise to the same power level at the power meter input. (See the functional block diagram). The noise power is then offset by the desired ratio. The primary source of inaccuracy within the unit is the attenuator that varies the noise power, and Noisecom uses the most accurate components available. Secondary effects such as thermal drift are negligible since the noise and the power are measured within a very short time frame.

Active components in the instrument that could be attributed to long-term drift are common to both the signal and noise path, so variations in these components do not affect the calibrated ratio. The unit's linear phase and amplitude signal path ensures that the desired signal passes through undistorted.

Since the CNG-EbNo automatically compensates for parameters like bit rates and bandwidth, taking measurement is as simple as pressing a button. Operating modes, function and parameters are set using the front panel touch screen controls.

Meter – In this mode, the instrument functions as a true RMS power meter, and uses various averaging methods to ensure more accurate readings.

Measurements are made through couplers, allowing the signal to pass through to the output connector unaltered by the meter circuitry.

E_b/N_0 – The instrument automatically sets up a desired E_b/N_0 quickly and accurately. Based on the user-specified carrier output level, output E_b/N_0 ratio, and bit rate, the instrument automatically calculates the required noise density.

C/N – This mode sets the specified carrier output level and the total noise power in the system bandwidth to the desired ratio.

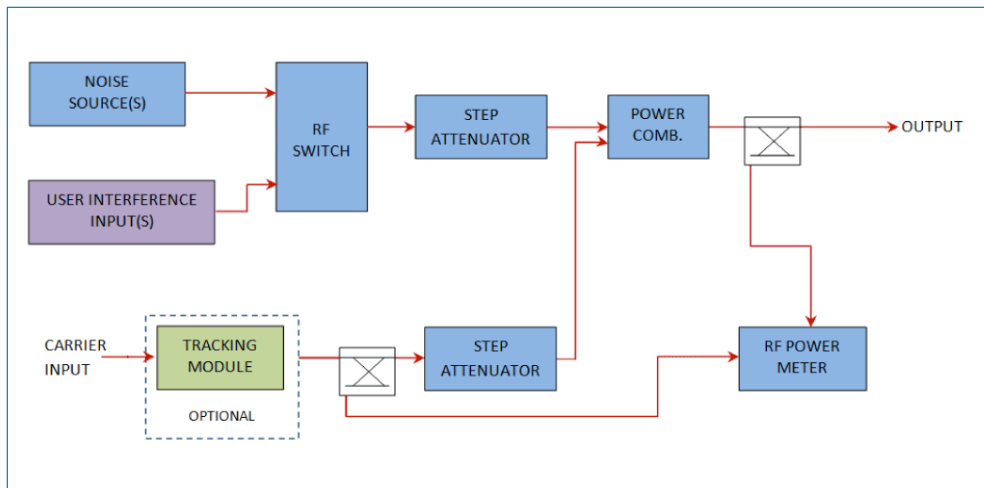
C/N_0 – To obtain a specific C/N_0 ratio, set the instrument to E_b/N_0 mode and enter zero for the bit rate. All other functions are the same as the E_b/N_0 mode.

C/I – This mode sets the specified carrier output level and the user interference input power in the system bandwidth to the desired ratio.

GEN – The instrument can also function as a precision noise generator. Simply select the mode and enter the required noise density. The unit's internal noise source provides the desired signal.

Status Indicators and Display Screen – Front panel indicators and the 6.25" touchscreen display provide constant feedback on the instrument state and settings.

Data Entry and Function Selection – Instructions and data are easily entered through the front panel keypad. The instrument can also be controlled through the standard rear panel GPIB (optional), Ethernet, TCP/IP, or optional RS-232C, RS-422 or RS-423 interfaces.



Simplified Functional Block Diagram

The internal AWGN precision noise source is summed with the user supplied carrier signal. The unit generates extremely precise E_b/N_0 ratios over a broad range of input or output power.

Carrier to Noise Ratio (C/N)

What is it?

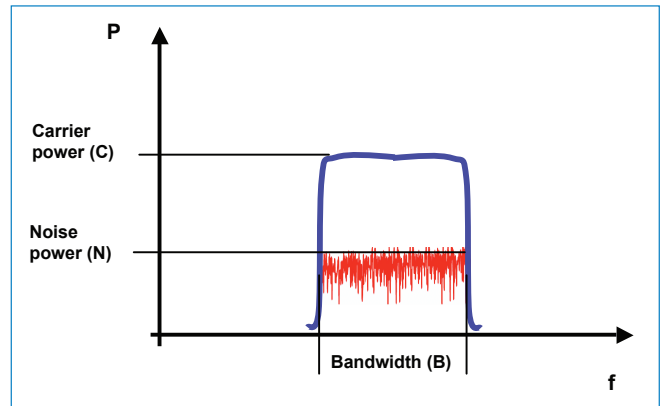
C/N is the ratio of the relative power level to the noise level in the bandwidth of a system.

Why we need it?

Allows to analyze if a carrier can still be recognized as such, or if it is obliterated by ambient and system noise. C/N Provides a value for the quality of a communication channel.

How to measure?

The quality of the system is usually determined through BER plots against C/N.



Noise Spectral Density (N₀)

What is N₀?

Noise spectral density (N₀) is defined as the amount of (white) noise energy per bandwidth unit (Hz).

$$N_0 = N / B$$

N₀ is often expressed as

$$N_0 = kT$$

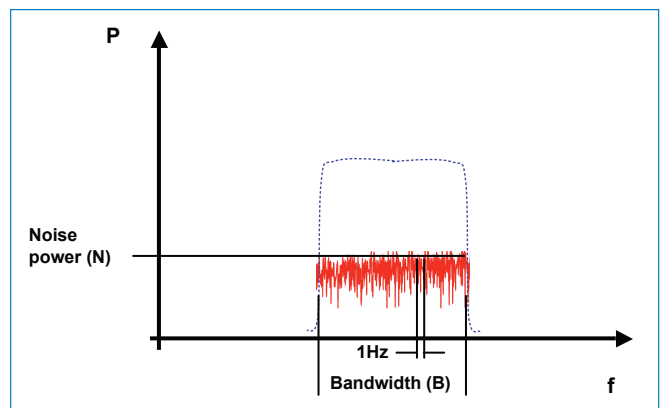
Where

k is the Boltzmann's constant in Joules per Kelvin [J/K]

T is the receiver system noise temperature in Kelvin [K]

The units of N₀ are Joules [J], Watts/Hz [W/Hz] or Watts * s [Ws]. All three units express the very same metric.

$$[J] = [W / Hz] = [Ws]$$



Carrier to Noise Density Ratio (C/N_0)

What is it?

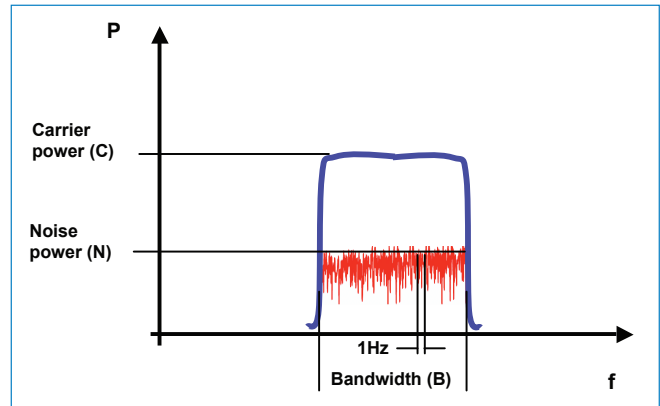
C/N_0 is the ratio of the power level to the noise power spectral density (normalized noise level relative to 1 Hz) in a system.

Why we need it?

Similar as C/N but C/N_0 does not factor the actual noise bandwidth in. This simplifies analysis of systems where variation of the (utilized) BW may apply.

How to measure?

As C/N , C/N_0 is usually determined through BER plots



Energy per bit (E_b)

What is E_b ?

Energy per information bit (i.e. the energy per bit net of FEC overhead bits). Carrier power divided by actual information bits.

$$E_b = C/R$$

Where

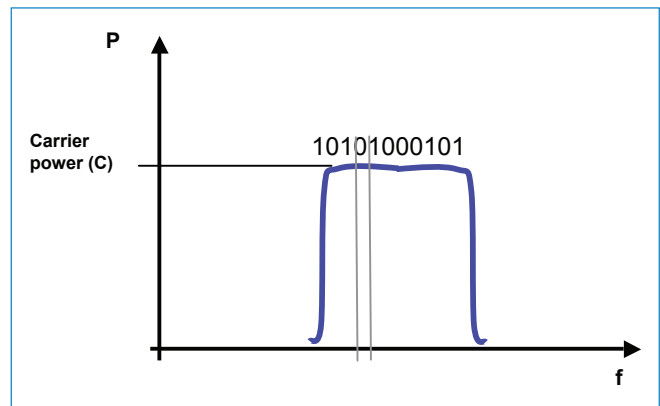
C is the carrier power

R is the actual information bit rate.

Why we need it?

Using the E_b rather than overall carrier power (C) allows comparing different modulation schemes easily.

The units of E_b are Joules [J], Watts/Hz [W/Hz] or Watts * s [Ws]. All three units express the very same metric.



Simplified depiction of E_b . Bits in modulation schemes are not as shown directly linked to a certain frequency.

Energy per Bit to Noise Power Density (E_b/N_0)

What is it?

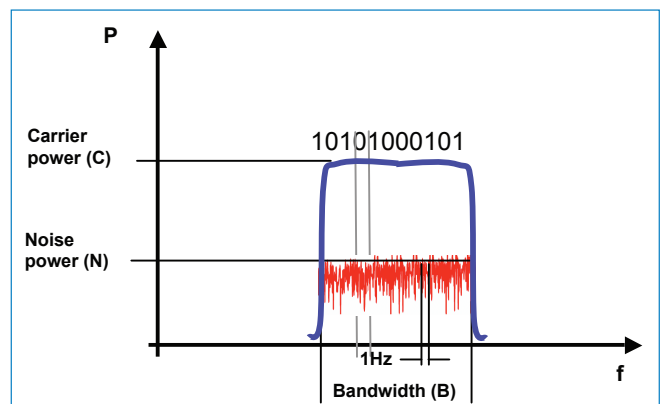
E_b/N_0 is the ratio of the Energy per Bit divided by the noise power density.

Why we need it?

Allows comparing bit error rate (BER) performance (effectiveness) of different digital modulation schemes. Both factors are normalized, so actual bandwidth is no longer of concern.

How to measure?

Modulation schemes are compared through BER plots against E_b/N_0 . E_b/N_0 is a dimensionless ratio.

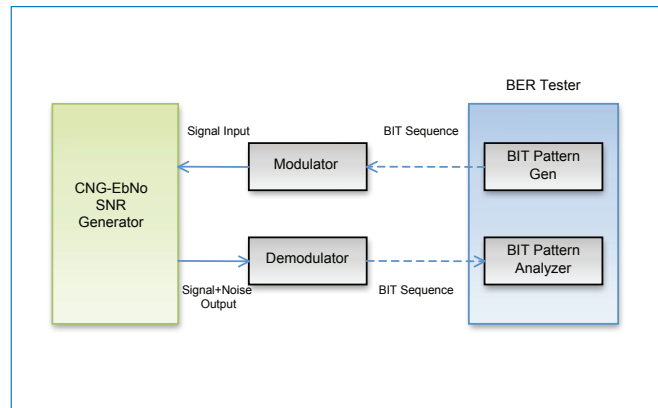


Performance of BER vs E_b/N_0

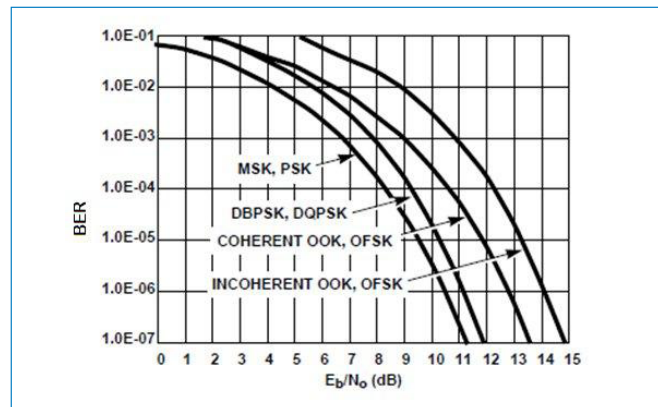
This block diagram shows an example of typical satellite modem loop test set up from where it is possible to find the ideal performance of BER vs E_b/N_0 . The CNG-EbNo tester sets up the E_b/N_0 and a standard BER test equipment measures the bit error rate. Plotting BER vs. E_b/N_0 produces a waterfall like curve to its shape when plotted in a logarithm graph.

E_b/N_0 is commonly used with modulation and coding designed for noise-limited rather than interference-limited communication systems, and for power-limited rather than bandwidth-limited communication systems. Examples of power-limited systems include spread spectrum and deep-space, which are optimized by using large bandwidths relative to the bit rate.

- MSK:** Minimum shift keying
- PSK:** Phase shift keying
- DBPSK:** Differential binary phase shift keying
- DQPSK:** Differential quadrature phase shift keying
- OOK:** On-off keying
- OFSK:** Orthogonal frequency shift keying



Block diagram of typical satellite modem loop test up



Example of the relationship between BER and E_b/N_0

Carrier to Interference Ratio (C/I, CIR)

What is it?

C/I is the quotient between the average received modulated carrier power C and the average received co-channel interference power I. (i.e. cross-talk, from other transmitters than the useful signal).

Why we need it?

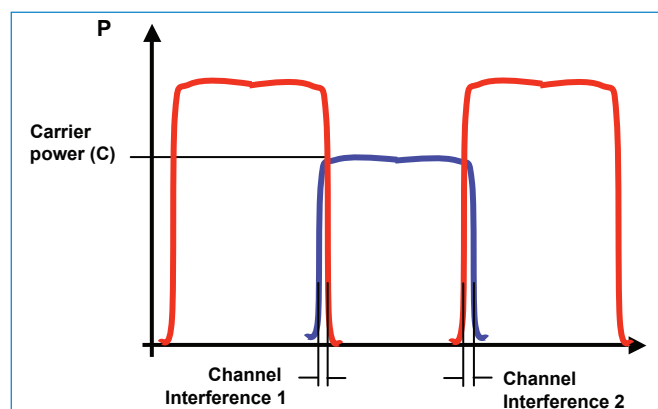
Allows analysis and rating of channel robustness against neighbor channels.

How to measure?

As C/N and C/No, C/I are usually analyzed through BER plots.

$$C / I = C / (I_1 + I_2 + I_n)$$

C / I is a dimensionless ratio



Correlation: C/N, C/No and Eb/No

$$C/N = C/(N_o * B) = (E_b/N_o) * (R/B)$$

$$E_b/N_o = (C/N) * (B/R)$$

$$N_o = (N * E_b * R) / B * C$$

$$C/N \text{ dB} = 10_{\log} (E_b/N_o) + 10_{\log} (R/B)$$

CNG EbNo vs. Spectrum Analyzer

The CNG EbNo offers a variety of advantages over discrete instruments when measuring C/N, C/No, E_b/N_o or C/I:

- Automated procedure, therefore repeatable measurements provided quickly
- Highest accuracy through substitution calibration method
- Automated calculation of results
- Customer specific configuration depending on the application

Specifications

Operating modes

Carrier-to-noise (C/N), carrier-to-noise density (C/N_o), bit energy-to-noise density (E_b/N_o), carrier-to-interferer (C/I), noise generator, power meter

Carrier Path

Input power range	-55 dBm to +5 dBm
Maximum input power	+21 dBm (with no damage)
Output power range	-55 dBm to +5 dBm
Nominal gain	±1.0 dB
Gain resolution	0 to -60 dB in 0.1 dB steps
Gain flatness	±0.2 dB for 70 MHz ±20 MHz ±0.3 dB for 140 MHz ±40 MHz ±0.4 dB for others
Group delay	±0.20 ns/40 MHz for frequencies above 20 MHz
Third-order intercept point	+29 dBm typical
Tracking range (Ubopt01)	+4 dB to -4 dB
Tracking update rate	100 milliseconds, nominal

Noise path

Output power range	-55 dBm to +5 dBm
Flatness	±0.2 dB/40 MHz ±0.3 dB/80 MHz ±0.4 dB/200 MHz ±0.5 dB/300 MHz
Attenuation range	60 dB (0.1 dB steps)
Ratio accuracy	±0.2 dB RSS, ±0.3 dB WCU
Power meter range	-55 dBm to +5 dBm
Power meter accuracy	±0.5 dB
Control	Local, TCP/IP, GPIB (optional)
Interferer input	-4 dBm ±2 dB, frequency range is equal to the noise bandwidth
RF connectors	BNC-75 Ω below 800 MHz, N-type female 50 Ω above 800 MHz

Primary power

Voltage	85 to 264 VAC
Frequency	47 to 63 Hz
Consumption	2 amps, maximum
Fuse	2 A
Operating temperature	0° to 50° C
Dimensions	17" W x 5.25" H x 17.5" D

Ordering Information

Model Number	Frequency Range
CNG-EbNo-70	50 to 90 MHz
CNG-EbNo-IF1	50 to 90 MHz 100 to 180 MHz
CNG-EbNo-105	65 to 75 MHz 50 to 90 MHz 100 to 180 MHz 10 to 200 MHz
CNG-EbNo-225	50 to 400 MHz
CNG-EbNo-750	650 to 850 MHz
CNG-EbNo-1550	950 to 1200 MHz 1150 to 1450 MHz 1400 to 1700 MHz 1650 to 1950 MHz 1900 to 2150 MHz
CNG-EbNo-1550A	950 to 2150 MHz
CNG-EbNo-1700	1400-2000 MHz 1610-1790 MHz 1680-1720 MHz
CNG-EbNo-2105	1710 to 2500 MHz
CNG-EbNo-2450	2200 to 2700 MHz
CNG-EbNo-4600	3400 to 5800 MHz
CNG-EbNo-20000	18 to 22 GHz

Options

UEopt03	50 Ω input and output impedance ¹
UEopt04	RS-232C, RS-422, or RS-423 interface ²
UEopt05	230 VAC, 50 Hz
UEopt15	19" rack mount
UEopt16	GPIO
UEopt17	Removable hard drive ³

¹ Below 800 MHz, standard impedance is 75 Ω . Above 800 MHz, 50 Ω is assumed.

² In addition to standard TCP/IP

³ Highly recommended for military



Wireless Telecom Group Inc.
25 Eastmans Rd
Parsippany, NJ
United States
Tel: +1 973 386 9696
Fax: +1 973 386 9191
www.noisecom.com

© Copyright 2015
All rights reserved.

N/CNG-EbNo/2202/EN
Note: Specifications, terms and conditions
are subject to change without prior notice.



Noisecom是WTG (Wireless Telecom Group) 集团旗下全资子公司，总部坐落于新泽西州帕西帕尼，位于纽约市大都会区。

作为全球领先的射频、微波噪声源设计和制造商，其产品广泛应用于信号阻塞、加损、计量标校、抖动噪声加载、接收机性能等测试领域。

Noisecom拥有全球销售和服务办事处网络，致力于为用户提供卓越的产品服务和支持。

中国区(含香港)代理
南京舜特科通信技术有限公司
电话: 025-52635773
邮箱: sales@sainty-tech.com
网址: www.sainty-tech.com
www.noisecom.com

地址: 南京市江宁区胜利路89号紫金研创中心3号楼801